

QWCA-12-1

WR-12 to 1.0mm

Features:
* Low VSWR

Applications:
* Wireless
* Transmitter
* Laboratory Test
* Radar

Electrical

Frequency:	60~90GHz
VSWR:	1.35 max.
Insertion Loss:	1.1dB max. (1M) 0.5dB max. (1F)
Impedance:	50Ω

Mechanical

Coax Connectors:	1.0mm
Waveguide Size:	WR-12
Flange:	UG-387/U
Material:	Gold plated brass
Outer Conductor:	Passivated stainless steel
Dielectric:	PE
Inner Conductor:	Gold plated beryllium copper

Environmental

Temperature:	-55~+125°C
--------------	------------

How To Order

QWCA-12-X-Y-Z

X : Connector type.

Y : Configuration type.

Z : Flange type if applicable.

Connector naming rules:

1F - 1.0mm Female (Outline A)

1 - 1.0mm Male (Outline B)

Configuration naming rules:

E - End launch (Outline A, Outline B)

R - Right angle

Flange naming rules:

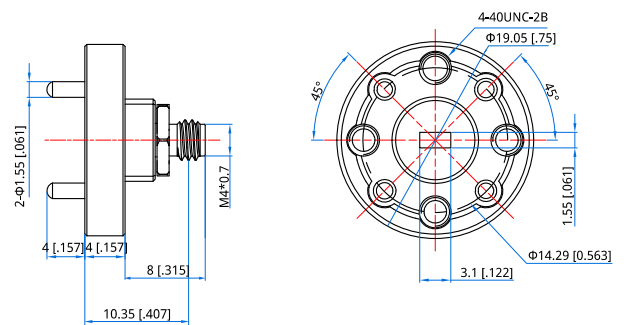
7 - UG-387/U (Outline A, Outline B)

Examples:

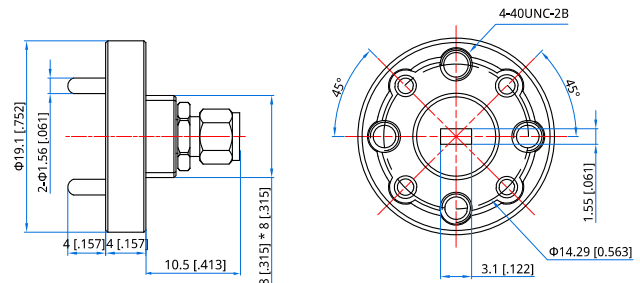
To order a waveguide to coax adapter, WR-12 to 1.0mm female, end launch, UG-387/U, specify QWCA-12-1F-E-7.

Customization is available upon request.

Outline Drawings



Outline A



Outline B

Unit: mm [in]

Tolerance: ±0.2mm [±0.008in]